

DINGLI

GTWY9.5-1300

PUSH AROUND VERTICAL LIFT - SINGLE MAST



Standard Equipment

- Tilt Back Frame(Only For GTWY12.5/14-1300)
- Swing Outriggers With Interlock
- Emergency Stop Button
- Emergency Lowering System
- Easy Loading In Pickup Trucks
- Two Controllers Operation
- Leveling Sensor
- Forklift Pockets
- Transport Tie Hole
- Deadman Switch
- All Motion Alarm
- Cylinder Holding Valve
- Flashing Beacon
- Onboard Diagnostic System

Options

- AC Power to Platform
- Overload Sensor With Alarm

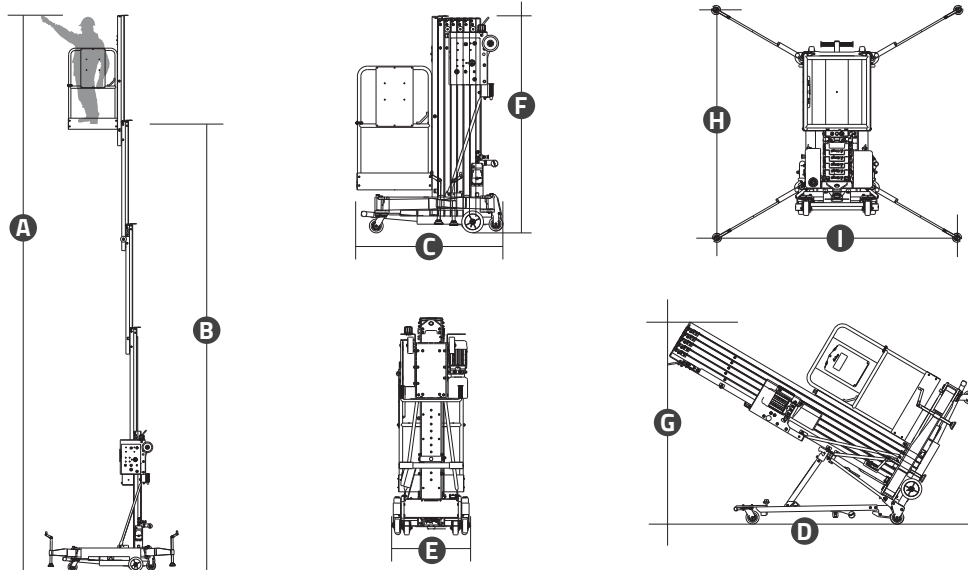


DINGLI

GTWY9.5-1300

PUSH AROUND VERTICAL LIFT - SINGLE MAST

Model	GTWY9.5-1300	GTWY11-1300	GTWY12.5-1300	GTWY14-1300
S.W.L	150kg	150kg	150kg	136kg
Max. Occupants	1	1	1	1
Max. Working Height A	9.50m	11.00m	12.50m	14.00m
Max. Platform Height B	7.50m	9.00m	10.50m	12.00m
Overall Length (Stowed) C	1.30m	1.34m	1.53m	1.53m
Overall Length (Tilted Back) D	/	/	2.63m	3.04m
Overall Width E	0.75m	0.75m	0.75m	0.75m
Overall Height (Stowed) F	1.99m	1.99m	2.35m	2.77m
Overall Height (Tilted Back) G	/	/	1.70m	1.95m
Outrigger Footprint H / I	1.70/1.86m	1.70/1.86m	2.08/2.15m	2.08/2.15m
Platform Size (Length/Width)	0.70x0.60m	0.70x0.60m	0.70x0.60m	0.70x0.60m
Ground Clearance	0.055m	0.055m	0.055m	0.055m
Lifting Motor - AC	220VAC/1.5kW	220VAC/1.5kW	220VAC/1.5kW	220VAC/1.5kW
Lifting Motor - DC	12VDC/1.5kW	12VDC/1.5kW	12VDC/1.5kW	12VDC/1.5kW
Up/Down Speed	28/18sec	34/22sec	40/26sec	45/29sec
Batteries	12V/85Ah	12V/85Ah	12V/85Ah	12V/85Ah
Integrated Charger	12V/15A	12V/15A	12V/15A	12V/15A
Tyres (Front Wheels)	8in	8in	8in	8in
Tyres (Back Wheels)	5in	5in	5in	5in
Weight - AC	430kg	450kg	530kg	559kg
Weight - DC	453kg	472kg	553kg	588kg



(Only For GTWY12.5/14-1300)



Delivering Safety & Productivity

Chennai | Bengaluru | Mumbai | Ahmedabad | Delhi | Kolkata | Sri Lanka | Qatar

equipment@mtandt.com | 90901 01065 | www.mtandt.com